

MSAI BAS CR

SAIL Tap Range
Metallix Sail Basin Mixer
Copper Radiance



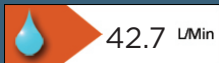
Specification

Product Type:	Bathroom Taps
Main Construction Material:	Brass
Mount Type:	Deck
Handle Type:	Lever
Connection Inlet:	M10 x 15mm Flexible Tails
Connection Outlet:	M24 Flow Limited Aerator @ 5lpm
Number of Tap Holes:	1
Valve/Cartridge Type:	35mm Cartridge
Plumbing System Requirements:	Suitable for all plumbing systems
Working Pressure Range:	Min 0.2 bar, Max 5 bar
Maximum Hot Water Temperature: °C	65
Maximum Static Pressure: (bar)	10
Flow Type:	Single
Isolation Included:	No

Features:

- Long life ceramic cartridge for added durability and ease of use
- Metal fixing nut for added durability
- Flexible tails included
- Includes clicker waste

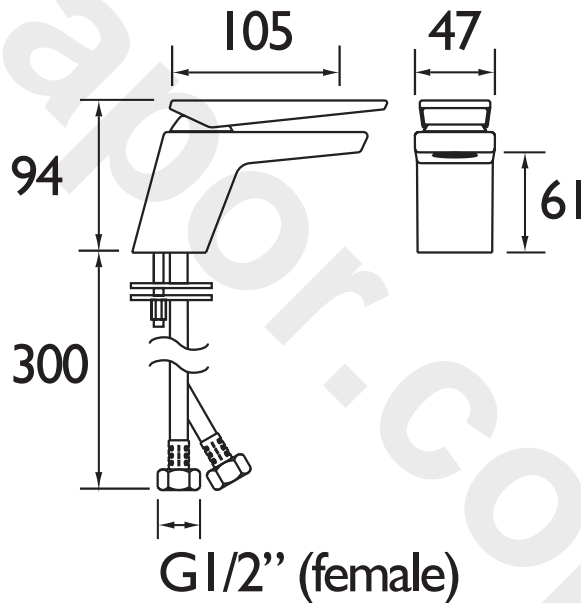
Product Certifications:



For more products, visit our website:
<http://www.bristan.com>



Dimensions (measurements in mm)



Flow Rates (l/min)

System Pressure (bar)	0.2	0.5	1	2	3	5
Without Fitted Flow Limiting Aerator	10.5	16.7	24.2	34.4	42.7	55
With Fitted Flow Limiting Aerator	5.5	5.5	5.5	5.5	5.5	5.5

**TECHNICAL
DATA
SHEET**



BRISTAN
TAPS & SHOWERS

D2